

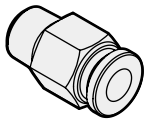
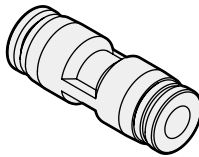
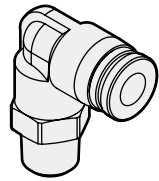
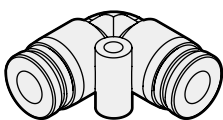
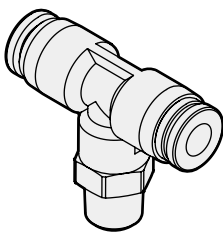
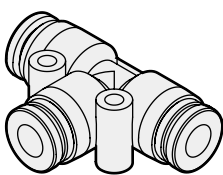
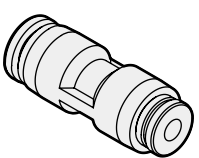
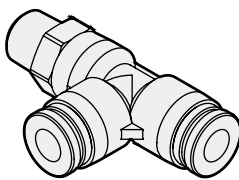
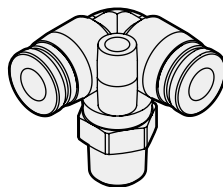
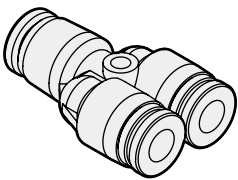
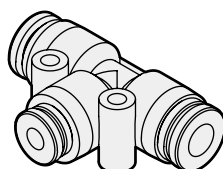
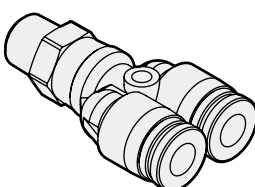
F.R.L.
 F.R.
 F (Filtr)
 R (Reg)
 L (Lub)
 Drain
 Separ
 Mech
 Press SW
 Res press
 exh valve
 SlowStart
 Anti-bac/Bac-
 remove Filt
 Film
 Resist FR
 Oil-ProhR
 Med
 Press FR
 No Cu/
 PTFE FRL
 Outdrs FRL
 Adapter
 Joiner
 Press
 Gauge
 CompFRL
 LgFRL
 PrecsR
 VacF/R
 Clean FR
 ElecPneur
 AirBoost
 Speed Ctrl
 Silncr
 CheckV/
 other
 Fit/Tube
 Nozzle
 Air Unit
 PrecsCompn
 Electro
 Press SW
 ContactSW
 AirSens
 PresSW
 Cool
 Air Flo
 Sens/Ctrl
 WaterRtSens
 TotAirSys
 (Total Air)
 TotAirSys
 (Gamma)
 Gas
 generator
 RefrDry
 DesicDry
 HiPolymDry
 MainFiltr
 Dischrg
 etc
 Ending

ZSP

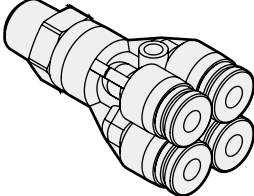
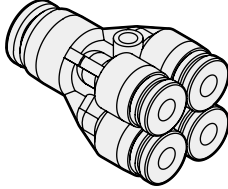
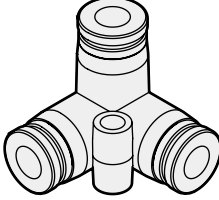
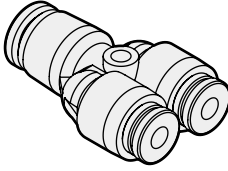
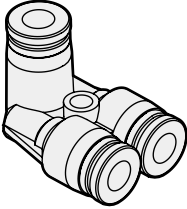
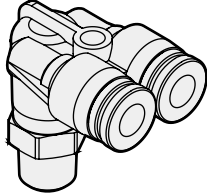
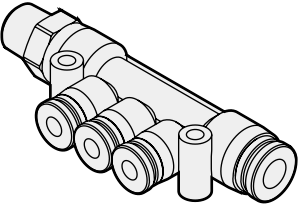
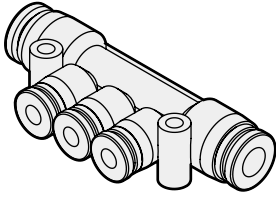
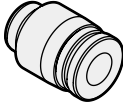
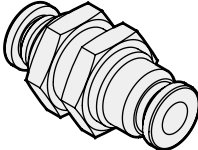
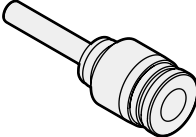
Fitting stainless steel

Port size: M5, R1/8 to R1/2



Straight ZSP-C□-□	Union straight ZSP-U□	Elbow ZSP-L□-□																		
 <table border="1" data-bbox="459 566 560 831"> <tr><th>Compatible tube O.D. ø</th></tr> <tr><td>4</td></tr> <tr><td>6</td></tr> <tr><td>8</td></tr> <tr><td>10</td></tr> <tr><td>12</td></tr> </table> <p>·Refer to page: 851</p>	Compatible tube O.D. ø	4	6	8	10	12	 <table border="1" data-bbox="906 566 1007 831"> <tr><th>Compatible tube O.D. ø</th></tr> <tr><td>4</td></tr> <tr><td>6</td></tr> <tr><td>8</td></tr> <tr><td>10</td></tr> <tr><td>12</td></tr> </table> <p>·Refer to page: 851</p>	Compatible tube O.D. ø	4	6	8	10	12	 <table border="1" data-bbox="1353 566 1453 831"> <tr><th>Compatible tube O.D. ø</th></tr> <tr><td>4</td></tr> <tr><td>6</td></tr> <tr><td>8</td></tr> <tr><td>10</td></tr> <tr><td>12</td></tr> </table> <p>·Refer to page: 851</p>	Compatible tube O.D. ø	4	6	8	10	12
Compatible tube O.D. ø																				
4																				
6																				
8																				
10																				
12																				
Compatible tube O.D. ø																				
4																				
6																				
8																				
10																				
12																				
Compatible tube O.D. ø																				
4																				
6																				
8																				
10																				
12																				
 <table border="1" data-bbox="459 967 560 1232"> <tr><th>Compatible tube O.D. ø</th></tr> <tr><td>4</td></tr> <tr><td>6</td></tr> <tr><td>8</td></tr> <tr><td>10</td></tr> <tr><td>12</td></tr> </table> <p>·Refer to page: 851</p>	Compatible tube O.D. ø	4	6	8	10	12	 <table border="1" data-bbox="906 967 1007 1232"> <tr><th>Compatible tube O.D. ø</th></tr> <tr><td>4</td></tr> <tr><td>6</td></tr> <tr><td>8</td></tr> <tr><td>10</td></tr> <tr><td>12</td></tr> </table> <p>·Refer to page: 852</p>	Compatible tube O.D. ø	4	6	8	10	12	 <table border="1" data-bbox="1353 967 1453 1232"> <tr><th>Compatible tube O.D. ø</th></tr> <tr><td>4</td></tr> <tr><td>6</td></tr> <tr><td>8</td></tr> <tr><td>10</td></tr> <tr><td>12</td></tr> </table> <p>·Refer to page: 852</p>	Compatible tube O.D. ø	4	6	8	10	12
Compatible tube O.D. ø																				
4																				
6																				
8																				
10																				
12																				
Compatible tube O.D. ø																				
4																				
6																				
8																				
10																				
12																				
Compatible tube O.D. ø																				
4																				
6																				
8																				
10																				
12																				
 <table border="1" data-bbox="459 1370 560 1601"> <tr><th>Compatible tube O.D. ø</th></tr> <tr><td>6/4</td></tr> <tr><td>8/6</td></tr> <tr><td>10/8</td></tr> <tr><td>12/10</td></tr> </table> <p>·Refer to page: 852</p>	Compatible tube O.D. ø	6/4	8/6	10/8	12/10	 <table border="1" data-bbox="906 1370 1007 1635"> <tr><th>Compatible tube O.D. ø</th></tr> <tr><td>4</td></tr> <tr><td>6</td></tr> <tr><td>8</td></tr> <tr><td>10</td></tr> <tr><td>12</td></tr> </table> <p>·Refer to page: 852</p>	Compatible tube O.D. ø	4	6	8	10	12	 <table border="1" data-bbox="1353 1370 1453 1635"> <tr><th>Compatible tube O.D. ø</th></tr> <tr><td>4</td></tr> <tr><td>6</td></tr> <tr><td>8</td></tr> <tr><td>10</td></tr> <tr><td>12</td></tr> </table> <p>·Refer to page: 853</p>	Compatible tube O.D. ø	4	6	8	10	12	
Compatible tube O.D. ø																				
6/4																				
8/6																				
10/8																				
12/10																				
Compatible tube O.D. ø																				
4																				
6																				
8																				
10																				
12																				
Compatible tube O.D. ø																				
4																				
6																				
8																				
10																				
12																				
 <table border="1" data-bbox="459 1774 560 2038"> <tr><th>Compatible tube O.D. ø</th></tr> <tr><td>4</td></tr> <tr><td>6</td></tr> <tr><td>8</td></tr> <tr><td>10</td></tr> <tr><td>12</td></tr> </table> <p>·Refer to page: 853</p>	Compatible tube O.D. ø	4	6	8	10	12	 <table border="1" data-bbox="906 1774 1007 2004"> <tr><th>Compatible tube O.D. ø</th></tr> <tr><td>6/4</td></tr> <tr><td>8/6</td></tr> <tr><td>10/8</td></tr> <tr><td>12/10</td></tr> </table> <p>·Refer to page: 853</p>	Compatible tube O.D. ø	6/4	8/6	10/8	12/10	 <table border="1" data-bbox="1353 1774 1453 2038"> <tr><th>Compatible tube O.D. ø</th></tr> <tr><td>4</td></tr> <tr><td>6</td></tr> <tr><td>8</td></tr> <tr><td>10</td></tr> <tr><td>12</td></tr> </table> <p>·Refer to page: 853</p>	Compatible tube O.D. ø	4	6	8	10	12	
Compatible tube O.D. ø																				
4																				
6																				
8																				
10																				
12																				
Compatible tube O.D. ø																				
6/4																				
8/6																				
10/8																				
12/10																				
Compatible tube O.D. ø																				
4																				
6																				
8																				
10																				
12																				

· Sales unit is 10 pcs./bag.

<p>Branch double Y ZSP-RX□-□</p>  <p>Compatible tube O.D. ø</p> <table border="1"> <tr><td>4</td></tr> <tr><td>6</td></tr> </table> <p>·Refer to page: 854</p>	4	6	<p>Different diameter double Y ZSP-RG□-□</p>  <p>Compatible tube O.D. ø</p> <table border="1"> <tr><td>6/4</td></tr> <tr><td>8/6</td></tr> </table> <p>·Refer to page: 854</p>	6/4	8/6	<p>Tripod union ZSP-VU□</p>  <p>Compatible tube O.D. ø</p> <table border="1"> <tr><td>4</td></tr> <tr><td>6</td></tr> <tr><td>8</td></tr> <tr><td>10</td></tr> <tr><td>12</td></tr> </table> <p>·Refer to page: 854</p>	4	6	8	10	12						
4																	
6																	
6/4																	
8/6																	
4																	
6																	
8																	
10																	
12																	
<p>Different diameter union Y ZSP-W□-□</p>  <p>Compatible tube O.D. ø</p> <table border="1"> <tr><td>6/4</td></tr> <tr><td>8/6</td></tr> <tr><td>10/8</td></tr> <tr><td>12/10</td></tr> </table> <p>·Refer to page: 854</p>	6/4	8/6	10/8	12/10	<p>Union A ZSP-AU□</p>  <p>Compatible tube O.D. ø</p> <table border="1"> <tr><td>4</td></tr> <tr><td>6</td></tr> <tr><td>8</td></tr> <tr><td>10</td></tr> <tr><td>12</td></tr> </table> <p>·Refer to page: 855</p>	4	6	8	10	12	<p>Branch elbow ZSP-AX□-□</p>  <p>Compatible tube O.D. ø</p> <table border="1"> <tr><td>4</td></tr> <tr><td>6</td></tr> <tr><td>8</td></tr> <tr><td>10</td></tr> <tr><td>12</td></tr> </table> <p>·Refer to page: 855</p>	4	6	8	10	12	
6/4																	
8/6																	
10/8																	
12/10																	
4																	
6																	
8																	
10																	
12																	
4																	
6																	
8																	
10																	
12																	
<p>Branch triple ZSP-KD□-□-□</p>  <p>Compatible tube O.D. ø</p> <table border="1"> <tr><td>6/4</td></tr> <tr><td>8/4</td></tr> <tr><td>8/6</td></tr> <tr><td>10/8</td></tr> </table> <p>·Refer to page: 855</p>	6/4	8/4	8/6	10/8	<p>Different diameter triple ZSP-KG□-□</p>  <p>Compatible tube O.D. ø</p> <table border="1"> <tr><td>6/4</td></tr> <tr><td>8/4</td></tr> <tr><td>8/6</td></tr> <tr><td>10/6</td></tr> <tr><td>10/8</td></tr> </table> <p>·Refer to page: 855</p>	6/4	8/4	8/6	10/6	10/8	<p>Cap ZSP-PF□</p>  <p>Compatible tube O.D. ø</p> <table border="1"> <tr><td>4</td></tr> <tr><td>6</td></tr> <tr><td>8</td></tr> <tr><td>10</td></tr> <tr><td>12</td></tr> </table> <p>·Refer to page: 856</p>	4	6	8	10	12	
6/4																	
8/4																	
8/6																	
10/8																	
6/4																	
8/4																	
8/6																	
10/6																	
10/8																	
4																	
6																	
8																	
10																	
12																	
<p>Bulkhead union ZSP-M□</p>  <p>Compatible tube O.D. ø</p> <table border="1"> <tr><td>4</td></tr> <tr><td>6</td></tr> <tr><td>8</td></tr> <tr><td>10</td></tr> <tr><td>12</td></tr> </table> <p>·Refer to page: 856</p>	4	6	8	10	12	<p>Reducer ZSP-J□-□</p>  <p>Compatible tube O.D. ø</p> <table border="1"> <tr><td>6/4</td></tr> <tr><td>4/6</td></tr> <tr><td>4/8</td></tr> <tr><td>6/8</td></tr> <tr><td>4/10</td></tr> <tr><td>6/10</td></tr> <tr><td>8/10</td></tr> <tr><td>6/12</td></tr> <tr><td>8/12</td></tr> <tr><td>10/12</td></tr> </table> <p>·Refer to page: 856</p>	6/4	4/6	4/8	6/8	4/10	6/10	8/10	6/12	8/12	10/12	
4																	
6																	
8																	
10																	
12																	
6/4																	
4/6																	
4/8																	
6/8																	
4/10																	
6/10																	
8/10																	
6/12																	
8/12																	
10/12																	

· Sales unit is 10 pcs./bag.

F.R.L.
F.R.
F (Filtr)
R (Reg)
L (Lub)
Drain Separ
Mech Press SW
Res press exh valve
SlowStart
Anti-bac/Bac-remove Filtr
Film Resist FR
Oil-ProhR
Med Press FR
No Cu/ PTFE FRL
Outdrs FRL
Adapter Joiner Press Gauge
CompFRL
LgFRL
PrecsR
VacF/R
Clean FR
ElecPneuR
AirBoost
Speed Ctrl
Silncr
CheckV/other
Fit/Tube
Nozzle
Air Unit
PrecsCompn
Electro Press SW
ContactSW
AirSens
PresSW Cool
Air Flo Sens/Ctrl
WaterRISens
TotAirSys (Total Air)
TotAirSys (Gamma)
Gas generator
RefrDry
DesicDry
HiPolymDry
MainFiltr
Dischrg etc
Ending

F.R.L.
F.R.
F (Filtr)
R (Reg)
L (Lub)
Drain Separ
Mech Press SW
Res press exh valve
SlowStart
Anti-bac/Bac-remove Filt
Film Resist FR
Oil-ProhR
Med Press FR
No Cu/PTFE FRL
Outdrs FRL
Adapter Joiner Press Gauge
CompFRL
LgFRL
PrecsR
VacF/R
Clean FR
ElecPneR
AirBoost
Speed Ctrl
Silncr
CheckV/other
Fit/Tube
Nozzle
Air Unit
PrecsCompn
Electro Press SW
ContactSW
AirSens
PresSW Cool
Air Flo Sens/Ctrl
WaterRtSens
TotAirSys (Total Air)
TotAirSys (Gamma)
Gas generator
RefrDry
DesiccDry
HiPolymDry
MainFiltr
Dischrg etc
Ending



Fitting stainless steel

ZSP Series

- Port size: M5, R1/8 to 1/2
- Compatible tube O.D.: ø4 to ø12



Features

- **Stainless steel (SUS303 or equivalent) metal body**
Perfect for use in corrosive atmospheres, or atmospheres susceptible to copper ions.
- **Diverse range of model variations**
A wide range of variations for various pneumatic piping.
- **Environment-friendly products**
As a RoHS Directive compatible product, all substances which adversely affect the global environment have been eliminated from the materials.

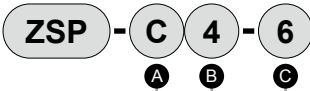
Specifications

Item	ZSP
Working fluid	Air
Max. working pressure MPa	1.0 (≈150 psi, 10 bar)
Negative pressure kPa	-100 (≈-15 psi, -1 bar)
Ambient temperature °C	0 (32°F) to 60 (140°F) (no freezing. *1)

*1: Freezing may occur due to adiabatic expansion depending on the air quality (dew point).

How to order

* Refer to the model No. on the dimensions page (pages 851 to 856) for the model No. combination.

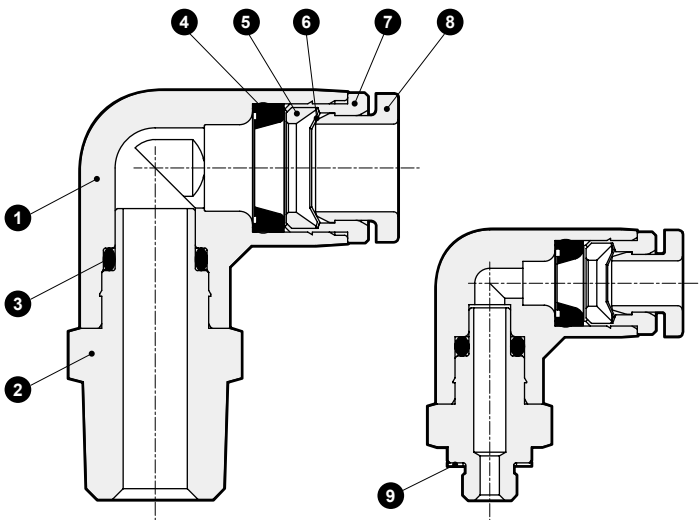


A Shape				B Compatible tube O.D.		C Port size *1	
C	Straight	RX	Branch double Y	4	ø4	M5	M5 x 0.8
U	Union straight	RG	Different diameter double Y	6	ø6	M5S	M5 x 0.8 (Slim type)
L	Elbow	VU	Tripod union	8	ø8	6	R1/8
V	Union elbow	W	Different diameter union Y	10	ø10	8	R1/4
B	Tee	AU	Union A	12	ø12	10	R3/8
E	Union tee	AX	Branch elbow			15	R1/2
G	Different diameter union straight	KD	Branch triple				
D	Branch tee	KG	Different diameter triple				
VX	Tripod elbow	PF	Cap				
Y	Union Y	M	Bulkhead union				
EG	Different diameter union tee	J	Reducer				
X	Branch Y						

*1: In the case of C compatible tube O.D., select from the B table.

*2: Sales unit is 10 pcs./bag.

Internal structure and parts list

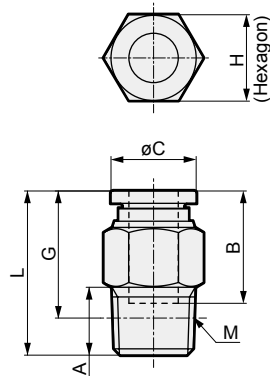
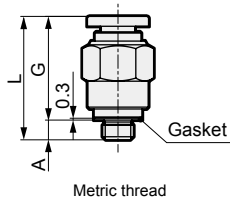


No.	Part name	Material
1	Resin body	Polybutylene terephthalate
2	Metal body	Stainless steel (SUS303 or equivalent)
3	O-ring	Hydrogenated nitrile rubber
4	Elastic sleeve	Hydrogenated nitrile rubber
5	Lock ring	Stainless steel (SUS303 or equivalent)
6	Lock claw	Stainless steel (SUS301)
7	Guide ring	Stainless steel (SUS303 or equivalent)
8	Release ring	Polyacetal
9	Gasket	Polyphenylene sulfide

Dimensions

Straight

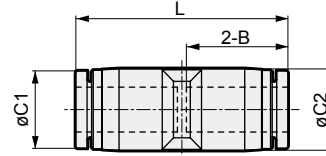
- ZSP-C□-□



Union Straight

- ZSP-U□-□

[Sales unit is 10 pcs./bag]

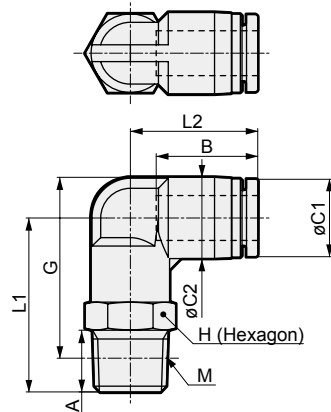
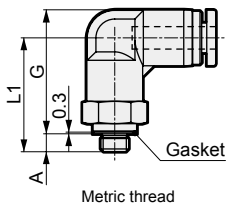


Model No.	Tube O.D. ø	M	A	L	G	B	C	H	Eff. X-sectional area mm ²	Wt. g
ZSP-C4-M5	4	M5×0.8	3.2	20	16.8	14.9	9.9	10	1.9	5.6
ZSP-C4-M5S		M5×0.8	3.2	22.9	19.7	14.9	9.9	8	1.9	5.9
ZSP-C4-6		R1/8	8	21	17	14.9	9.9	10	5.3	7.5
ZSP-C4-8		R1/4	11	21	15	14.9	9.9	14	5.3	15
ZSP-C6-M5	6	M5×0.8	3.2	22.1	18.9	17	11.8	12	1.9	8.1
ZSP-C6-6		R1/8	8	22.6	18.6	17	11.8	12	12.5	8.3
ZSP-C6-8		R1/4	11	24.6	18.5	17	11.8	14	12.5	16
ZSP-C6-10	R3/8	12	23.6	17.2	17	11.8	17	12.5	25	
ZSP-C8-6	8	R1/8	8	27.9	23.9	18.2	13.8	14	20	14
ZSP-C8-8		R1/4	11	26.6	20.6	18.2	13.8	14	20	14
ZSP-C8-10		R3/8	12	23.9	17.6	18.2	13.8	17	20	21
ZSP-C10-6	10	R1/8	8	30.3	26.3	20.7	16.8	17	22.9	21
ZSP-C10-8		R1/4	11	29.8	23.8	20.7	16.8	17	35	19
ZSP-C10-10		R3/8	12	29.3	23	20.7	16.8	17	35	24
ZSP-C10-15	R1/2	15	30.3	22.1	20.7	16.8	21	35	46	
ZSP-C12-8	12	R1/4	11	35.9	29.9	23.3	19.8	21	35	40
ZSP-C12-10		R3/8	12	31.9	25.6	23.3	19.8	21	59	32
ZSP-C12-15		R1/2	15	33.9	25.7	23.3	19.8	21	59	45

Note) The G dimensions for the taper screw type are reference dimensions after tightening.

Elbow

- ZSP-L□-□

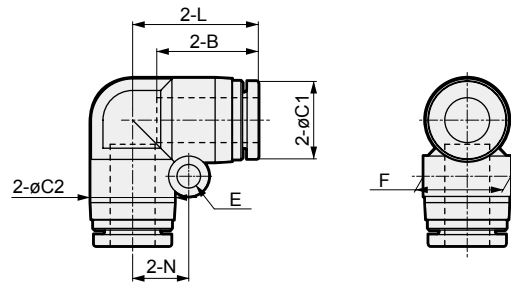


Model No.	Tube O.D. ø	M	A	L1	G	C1	C2	B	L2	H	Eff. X-sectional area mm ²	Wt. g
ZSP-L4-M5	4	M5×0.8	3.2	20.3	22.1	9.9	10	14.9	18	10	1.5	7.3
ZSP-L4-6		R1/8	8	23.3	24.3	9.9	10	14.9	18	10	4.2	10
ZSP-L4-8		R1/4	11	26.3	25.3	9.9	10	14.9	18	14	4.2	19
ZSP-L6-M5	6	M5×0.8	3.2	22	25.1	11.8	12.5	16.8	19.8	12	1.5	11
ZSP-L6-6		R1/8	8	25	27.3	11.8	12.5	16.8	19.8	12	10	13
ZSP-L6-8		R1/4	11	28	28.2	11.8	12.5	16.8	19.8	14	10	20
ZSP-L6-10	R3/8	12	29.8	29.7	11.8	12.5	16.8	19.8	17	10	32	
ZSP-L8-6	8	R1/8	8	28	31.3	13.8	14.5	18.1	22.7	14	16.5	17
ZSP-L8-8		R1/4	11	31	32.2	13.8	14.5	18.1	22.7	14	16.5	22
ZSP-L8-10		R3/8	12	32.8	33.7	13.8	14.5	18.1	22.7	17	16.5	34
ZSP-L10-6	10	R1/8	8	33	37.8	16.8	17.5	20.2	26.2	17	22.4	29
ZSP-L10-8		R1/4	11	36	38.7	16.8	17.5	20.2	26.2	17	30	31
ZSP-L10-10		R3/8	12	37	39.4	16.8	17.5	20.2	26.2	17	30	39
ZSP-L10-15	R1/2	15	40	40.6	16.8	17.5	20.2	26.2	21	30	59	
ZSP-L12-8	12	R1/4	11	38	42.5	19.8	21	23.4	29.4	21	30	47
ZSP-L12-10		R3/8	12	39	43.2	19.8	21	23.4	29.4	21	47	48
ZSP-L12-15		R1/2	15	42	44.3	19.8	21	23.4	29.4	21	47	63

Note) The G dimensions for the taper screw type are reference dimensions after tightening.

Union Elbow

- ZSP-V□



Model No.	Tube O.D. ø	C1	C2	B	L	E	N	F	Eff. X-sectional area mm ²	Wt. g
ZSP-V4	4	9.9	10	14.9	16.9	3.2	6.5	10.4	4.2	4.7
ZSP-V6	6	11.8	12.5	17	20.1	3.2	8	13.5	10	6.9
ZSP-V8	8	13.8	15	18.1	22.4	4.2	10	15.6	16.5	11
ZSP-V10	10	16.8	17.5	20.2	26.2	4.2	12	18.2	30	16
ZSP-V12	12	19.8	21	23.4	29.4	4.2	14	21.7	47	24

F.R.L.
F.R.
F (Filtr)
R (Reg)
L (Lub)
Drain Separ
Mech Press SW
Res press exh valve
SlowStart
Anti-bac/Bac-remove Filtr
Film Resist FR
Oil-ProhR
Med Press FR
No Cu/ PTFE FRL
Outdrs FRL
Adapter Joiner
Press Gauge
CompFRL
LgFRL
PrecsR
VacF/R
Clean FR
ElecPneuR
AirBoost
Speed Ctrl
Silncr
CheckV/ other
Fit/Tube
Nozzle
Air Unit
PrecsCompn
Electro Press SW
ContactSW
AirSens
PresSW Cool
Air Flo Sens/Ctrl
WaterR/Sens
TotAirSys (Total Air)
TotAirSys (Gamma)
Gas generator
RefrDry
DesicDry
HiPolymDry
MainFiltr
Dischrg etc
Ending

ZSP Series

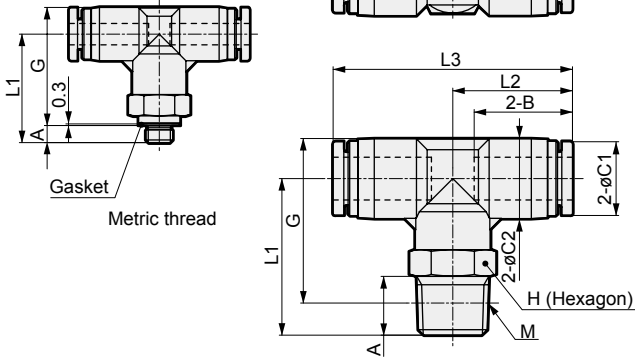


F.R.L. Dimensions

- F.R.
- F (Filtr)
- R (Reg)
- L (Lub)
- Drain Separ
- Mech Press SW
- Res press exh valve
- SlowStart
- Anti-bac/Bac-remove Filtr
- Film Resist FR
- Oil-ProhrR
- Med Press FR
- No Cu/PTFE FRL
- Outdrs FRL
- Adapter Joiner
- Press Gauge
- CompFRL
- LgFRL
- PrecsR
- VacFR
- Clean FR
- ElecPneUR
- AirBoost
- Speed Ctrl
- Silncr
- CheckV/other
- Fit/Tube
- Nozzle
- Air Unit
- PrecsCompn
- Electro Press SW
- ContactSW
- AirSens
- PresSW Cool
- Air Flo Sens/Ctrl
- WaterRtSens
- TotAirSys (Total Air)
- TotAirSys (Gamma)
- Gas generator
- RefrDry
- DesicDry
- HiPolymDry
- MainFiltr
- Dischrg etc
- Ending

Tee

- ZSP-B□-□

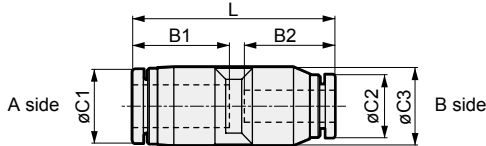


Model No.	Tube O.D. ø	M	A	L1	G	C1	C2	B	L2	L3	H	Eff. X-sectional area mm ²	Wt. g
ZSP-B4-M5	4	M5×0.8	3.2	20.2	22	9.9	10	14.9	16.9	33.8	10	1.5	9.4
ZSP-B4-6		R1/8	8	23.2	24.2	9.9	10	14.9	16.9	33.8	10	4.1	13
ZSP-B4-8		R1/4	11	26.2	25.2	9.9	10	14.9	16.9	33.8	14	4.1	21
ZSP-B6-M5	6	M5×0.8	3.2	23	26.3	11.8	13	17	20.15	40.3	12	1.5	15
ZSP-B6-6		R1/8	8	26	28.5	11.8	13	17	20.15	40.3	12	10	17
ZSP-B6-8		R1/4	11	29	29.5	11.8	13	17	20.15	40.3	14	10	24
ZSP-B6-10	8	R3/8	12	30.8	31	11.8	13	17	20.15	40.3	17	10	36
ZSP-B8-6		R1/8	8	26.3	29.8	13.8	15	18.1	22.4	44.8	14	16.5	21
ZSP-B8-8		R1/4	11	29.3	30.8	13.8	15	18.1	22.4	44.8	14	16.5	26
ZSP-B8-10	10	R3/8	12	31.1	32.3	13.8	15	18.1	22.4	44.8	17	16.5	38
ZSP-B10-6		R1/8	8	33	37.8	16.8	17.5	20.2	25.2	50.4	17	30	36
ZSP-B10-8		R1/4	11	36	38.7	16.8	17.5	20.2	25.2	50.4	17	30	38
ZSP-B10-10	12	R3/8	12	37	39.4	16.8	17.5	20.2	25.2	50.4	17	30	46
ZSP-B10-15		R1/2	15	40	40.6	16.8	17.5	20.2	25.2	50.4	21	30	65
ZSP-B12-8	12	R1/4	11	38	42.5	19.8	21	22.9	28.4	56.8	21	30	56
ZSP-B12-10		R3/8	12	39	43.2	19.8	21	22.9	28.4	56.8	21	47	58
ZSP-B12-15		R1/2	15	42	44.3	19.8	21	22.9	28.4	56.8	21	47	73

Note) The G dimensions for the taper screw type are reference dimensions after tightening.

Different diameter union straight

- ZSP-G□-□

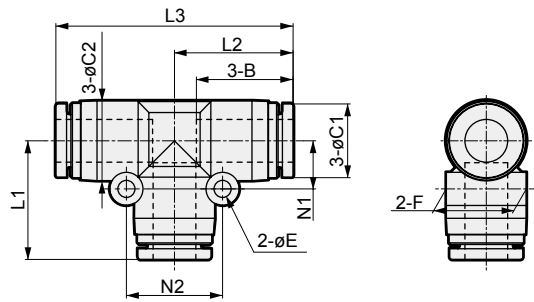


Model No.	Tube O.D. ø	L	C1	C2	C3	B1	B2	Eff. X-sectional area mm ²	Wt. g	
ZSP-G6-4	6	4	34.4	11.8	9.9	12.5	17	14.9	5.3	6
ZSP-G8-6	8	6	37.9	13.8	11.8	14.5	18.1	17	12.5	8.3
ZSP-G10-8	10	8	41.1	16.8	13.8	17.5	20.2	18.1	20	14
ZSP-G12-10	12	10	47.6	19.8	16.8	21	23.4	20.2	35	20

Union tee

- ZSP-E□

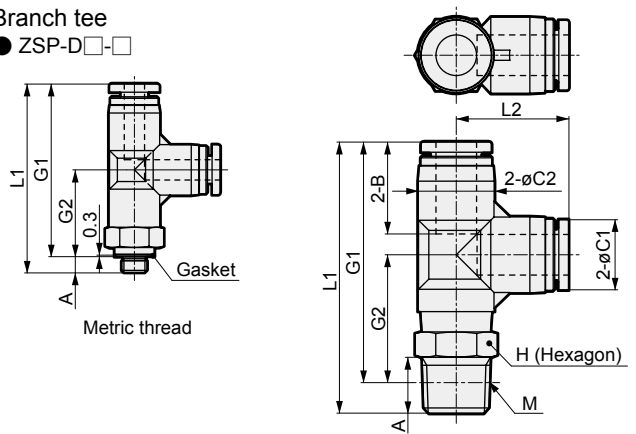
[Sales unit is 10 pcs./bag]



Model No.	Tube O.D. ø	C1	C2	B	L2	L3	E	N1	N2	L1	F	Eff. X-sectional area mm ²	Wt. g
ZSP-E4	4	9.9	10.4	14.9	17.2	34.4	3.2	6.5	13	17.2	10	5.3	7.1
ZSP-E6	6	11.8	13	17	20.05	40.1	3.2	8	16	20.1	13.5	12.5	11
ZSP-E8	8	13.8	15	18.1	22.2	44.4	3.2	9	18	22.2	15.6	20	15
ZSP-E10	10	16.8	17.5	20.2	25.2	50.4	4.2	12	24	25.2	18.2	35	24
ZSP-E12	12	19.8	21	22.9	28.4	56.8	4.2	14	28	28.2	21.7	59	34

Branch tee

- ZSP-D□-□



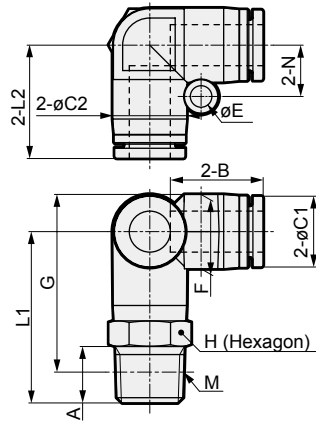
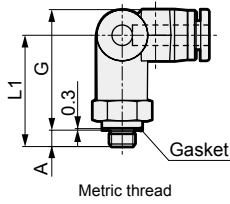
Model No.	Tube O.D. ø	M	A	L1	G1	G2	C1	C2	B	L2	H	Eff. X-sectional area mm ²	Wt. g
ZSP-D4-M5	4	M5×0.8	3.2	37.1	33.9	17	9.9	10	14.9	16.9	10	1.9	9.4
ZSP-D4-6		R1/8	8	40.1	36.1	19.2	9.9	10	14.9	16.9	10	5.3	13
ZSP-D4-8		R1/4	11	43.1	37.1	20.2	9.9	10	14.9	16.9	14	5.3	21
ZSP-D6-M5	6	M5×0.8	3.2	43.2	40	19.8	11.8	13	17	20.1	12	1.9	15
ZSP-D6-6		R1/8	8	46.2	42.2	22	11.8	13	17	20.1	12	12.5	17
ZSP-D6-8		R1/4	11	49.2	43.1	23	11.8	13	17	20.1	14	12.5	24
ZSP-D6-10	8	R3/8	12	51	44.6	24.5	11.8	13	17	20.1	17	12.5	35
ZSP-D8-6		R1/8	8	50.4	46.4	24.2	13.8	15	18.1	22.2	14	20	21
ZSP-D8-8		R1/4	11	53.4	47.4	25.2	13.8	15	18.1	22.2	14	20	27
ZSP-D8-10	10	R3/8	12	55.2	48.9	26.7	13.8	15	18.1	22.2	17	20	38
ZSP-D10-6		R1/8	8	58.2	54.2	29	16.8	17.5	20.2	25.2	17	35	36
ZSP-D10-8		R1/4	11	61.2	55.2	30	16.8	17.5	20.2	25.2	17	35	38
ZSP-D10-10	12	R3/8	12	62.2	55.9	30.7	16.8	17.5	20.2	25.2	17	35	46
ZSP-D10-15		R1/2	15	65.2	57	31.8	16.8	17.5	20.2	25.2	21	35	65
ZSP-D12-8	12	R1/4	11	66.6	60.6	32.2	19.8	21	22.9	28.2	21	35	57
ZSP-D12-10		R3/8	12	67.6	61.3	32.9	19.8	21	22.9	28.2	21	59	58
ZSP-D12-15		R1/2	15	70.6	62.4	34	19.8	21	22.9	28.2	21	59	72

Note) The G1 and G2 dimensions for the taper screw type are reference dimensions after tightening.

Dimensions

Tripod elbow

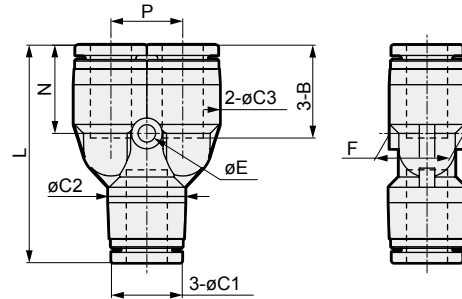
- ZSP-VX□-□



Union Y

- ZSP-Y□

[Sales unit is 10 pcs./bag]

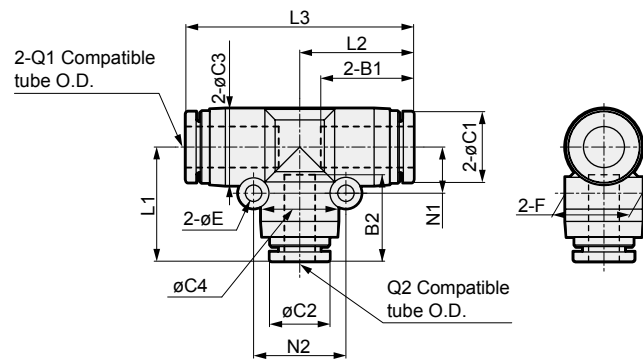


Model No.	Tube O.D. φ	M	A	L1	G	C1	C2	B	L2	H	E	N	F	Eff. X-sectional area mm ²	Wt. g
ZSP-VX4-M5	M5×0.8	3.2	21.7	23.5	9.9	10	14.9	16.9	10	3.2	6.5	10	2.3	11	
ZSP-VX4-6	R1/8	8	24.7	26.7	9.9	10	14.9	16.9	10	3.2	6.5	10	4	14	
ZSP-VX4-8	R1/4	11	27.7	26.7	9.9	10	14.9	16.9	14	3.2	6.5	10	3.5	23	
ZSP-VX6-M5	M5×0.8	3.2	25.3	28.4	11.8	12.5	17	20.1	12	4.2	8	12.5	2.3	17	
ZSP-VX6-6	R1/8	8	28.3	30.6	11.8	12.5	17	20.1	12	4.2	8	12.5	8.5	18	
ZSP-VX6-8	R1/4	11	31.3	31.5	11.8	12.5	17	20.1	14	4.2	8	12.5	8	26	
ZSP-VX6-10	R3/8	12	33.1	33	11.8	12.5	17	20.1	17	4.2	8	12.5	8.4	39	
ZSP-VX8-6	R1/8	8	30.4	33.7	13.8	14.5	18.1	22.1	14	4.2	10	14.5	17.1	24	
ZSP-VX8-8	R1/4	11	33.4	34.6	13.8	14.5	18.1	22.1	14	4.2	10	14.5	17.5	30	
ZSP-VX8-10	R3/8	12	35.2	36.1	13.8	14.5	18.1	22.1	17	4.2	10	14.5	17.4	42	
ZSP-VX10-6	R1/8	8	35.2	40	16.8	17.5	20.2	26.2	17	4.2	12	17.5	17.4	38	
ZSP-VX10-8	R1/4	11	38.2	40.9	16.8	17.5	20.2	26.2	17	4.2	12	17.5	31.5	44	
ZSP-VX10-10	R3/8	12	39.2	41.6	16.8	17.5	20.2	26.2	17	4.2	12	17.5	28.1	52	
ZSP-VX10-15	R1/2	15	42.2	42.8	16.8	17.5	20.2	26.2	21	4.2	12	17.5	24.3	74	
ZSP-VX12-8	R1/4	11	41.2	45.7	19.8	21	23.4	29.4	21	4.2	14	21	40.9	64	
ZSP-VX12-10	R3/8	12	42.2	46.4	19.8	21	23.4	29.4	21	4.2	14	21	45.5	65	
ZSP-VX12-15	R1/2	15	45.2	47.5	19.8	21	23.4	29.4	21	4.2	14	21	44.8	81	

Note) The G dimensions for the taper screw type are reference dimensions after tightening.

Different diameter Union tee

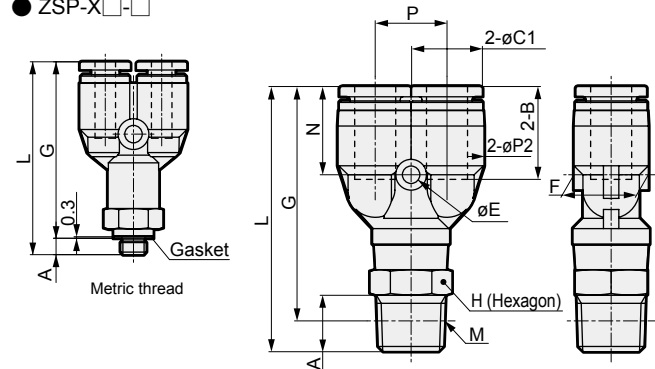
- ZSP-EG□-□



Model No.	Tube O.D. φ	Q1	Q2	C1	C2	C3	C4	B1	B2	L2	L3	E	N1	N2	L1	F	Eff. X-sectional area mm ²	Wt. g
ZSP-EG6-4	6	4	11.8	9.9	13	13	17	14.9	20.6	40.1	3.2	8	16	19.5	13.5	4.1	11	
ZSP-EG8-6	8	6	13.8	11.8	14.5	12.5	18.1	17	22.2	44.4	3.2	9	18	22.3	15.1	9.5	14	
ZSP-EG10-8	10	8	16.8	13.8	17.5	14.5	20.2	18.1	25.2	50.4	4.2	12	24	24.9	18.2	18.5	23	
ZSP-EG12-10	12	10	19.8	16.8	21	17.5	23.4	20.2	28.4	56.8	4.2	14	28	28	21.7	29.5	34	

Branch Y

- ZSP-X□-□



Model No.	Tube O.D. φ	M	A	L	G	C1	C2	B	P	E	N	H	F	Eff. X-sectional area mm ²	Wt. g
ZSP-X4-M5	M5×0.8	3.2	37.6	34.4	9.9	10	14.9	11	3.2	14.1	10	10.4	1.5	9.9	
ZSP-X4-6	R1/8	8	40.6	36.6	9.9	10	14.9	11	3.2	14.1	10	10.4	4.2	13	
ZSP-X4-8	R1/4	11	43.6	37.6	9.9	10	14.9	11	3.2	14.1	14	10.4	4.2	21	
ZSP-X6-M5	M5×0.8	3.2	41.4	38.2	11.8	12.5	17	12	3.4	15.8	12	13.5	1.5	15	
ZSP-X6-6	R1/8	8	44.4	40.4	11.8	12.5	17	12	3.4	15.8	12	13.5	10	17	
ZSP-X6-8	R1/4	11	47.4	41.3	11.8	12.5	17	12	3.4	15.8	14	13.5	10	24	
ZSP-X6-10	R3/8	12	49.2	42.8	11.8	12.5	17	12	3.4	15.8	17	13.5	10	36	
ZSP-X8-6	R1/8	8	48.7	44.7	13.8	14.5	18.1	14	3.4	17.2	14	15.1	16.5	22	
ZSP-X8-8	R1/4	11	51.7	45.7	13.8	14.5	18.1	14	3.4	17.2	14	15.1	16.5	27	
ZSP-X8-10	R3/8	12	53.5	47.2	13.8	14.5	18.1	14	3.4	17.2	17	15.1	16.5	39	
ZSP-X10-6	R1/8	8	55.3	51.3	16.8	18	20.7	18	4.5	19.5	17	18	30	38	
ZSP-X10-8	R1/4	11	58.3	52.3	16.8	18	20.7	18	4.5	19.5	17	18	30	40	
ZSP-X10-10	R3/8	12	59.3	53	16.8	18	20.7	18	4.5	19.5	17	18	30	48	
ZSP-X10-15	R1/2	15	62.3	54.1	16.8	18	20.7	18	4.5	19.5	21	18	30	67	
ZSP-X12-8	R1/4	11	63.5	57.5	19.8	21	23.4	20	4.2	22.2	21	21	37	59	
ZSP-X12-10	R3/8	12	64.5	58.2	19.8	21	23.4	20	4.2	22.2	21	21	37	61	
ZSP-X12-15	R1/2	15	67.5	59.3	19.8	21	23.4	20	4.2	22.2	21	21	37	75	

Note) The G dimensions for the taper screw type are reference dimensions after tightening.

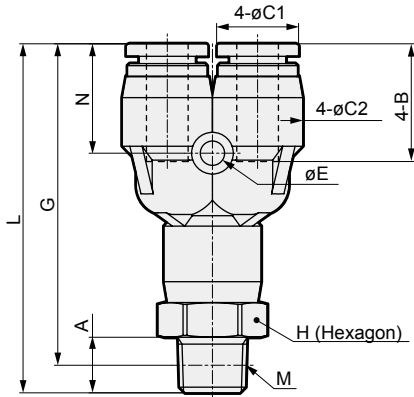
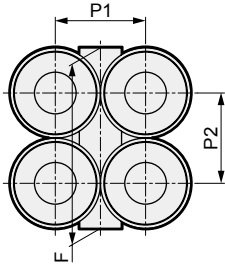
- F.R.L.
- F.R.
- F (Filtr)
- R (Reg)
- L (Lub)
- Drain Separ
- Mech Press SW
- Res press exh valve
- SlowStart
- Anti-bac/Bac-remove Filtr
- Film Resist FR
- Oil-Prohr
- Med Press FR
- No Cu/ PTFE FRL
- Outdris FRL
- Adapter Joiner Press Gauge
- CompFRL
- LgFRL
- PrecsR
- VacF/R
- Clean FR
- ElecPneuR
- AirBoost
- Speed Ctrl
- Silncr
- CheckV/ other
- Fit/Tube
- Nozzle
- Air Unit
- PrecsCompn
- Electro Press SW
- ContactSW
- AirSens
- PresSW Cool
- Air Flo Sens/Ctrl
- WaterRISens
- TotAirSys (Total Air)
- TotAirSys (Gamma) Gas generator
- RefrDry
- DesicDry
- HiPolymDry
- MainFiltr
- Dischrg etc
- Ending

ZSP Series



F.R.L. Dimensions

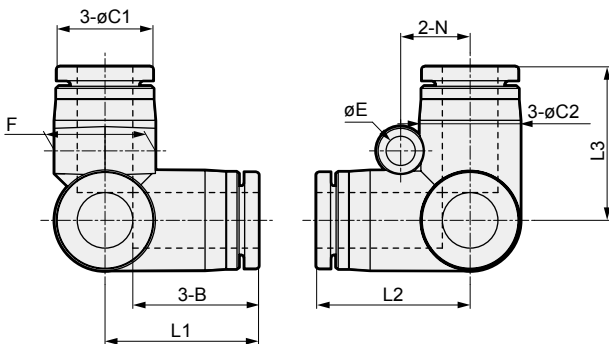
F.R. Branch double Y
● ZSP-RX□-□



Model No.	Tube O.D. ø	M	A	L	G	C1	C2	B	P1	P2	H	E	N	F	Eff. X-sectional area mm ²	Wt. g
ZSP-RX4-6	4	R1/8	8	45.7	41.7	9.9	10.5	14.9	10	10	12	3.2	14.2	20.5	1.5	20
ZSP-RX4-8	4	R1/4	11	48.7	42.7	9.9	10.5	14.9	10	10	14	3.2	14.2	20.5	1.4	27
ZSP-RX6-6	6	R1/8	8	50.3	46.3	11.8	13	17	13	13	14	3.2	15.8	26	9	27

(Note) The G dimensions are reference dimensions after tightening.

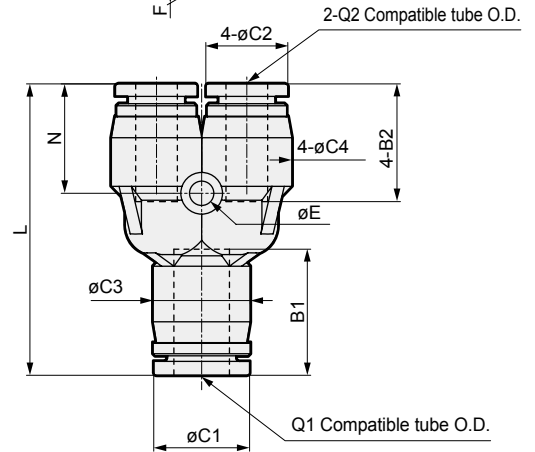
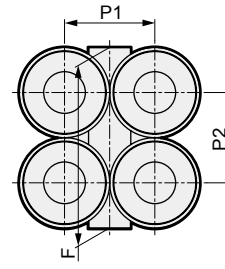
Tripod union
● ZSP-VU□



Model No.	Tube O.D. ø	C1	C2	B	L1	L2	L3	E	N	F	Eff. X-sectional area mm ²	Wt. g
ZSP-VU4	4	9.9	10	14.9	17.8	17.8	17.8	3.2	6.5	10.4	3.7	7
ZSP-VU6	6	11.8	12.5	17	20.5	20.5	20.5	4.2	8	12.5	8.3	9.8
ZSP-VU8	8	13.8	14.5	18.1	22.7	22.7	22.7	4.2	10	14.5	16	15
ZSP-VU10	10	16.8	17.5	20.2	26.2	26.2	26.2	4.2	12	17.5	30.2	24
ZSP-VU12	12	19.8	21	23.4	29.4	29.4	29.4	4.2	14	21	40.2	34

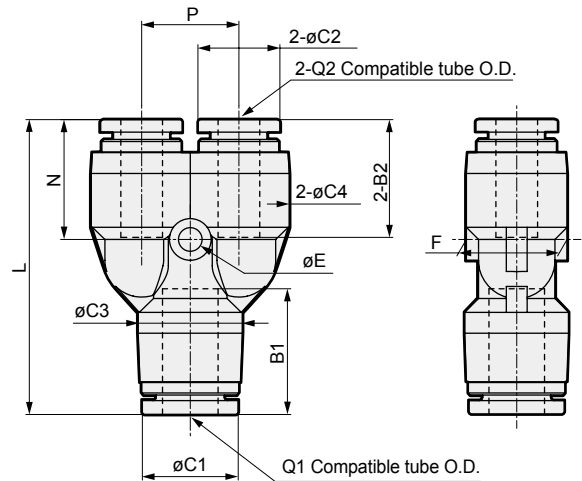
Different diameter double Y
● ZSP-RG□-□

[Sales unit is 10 pcs./bag]



Model No.	Tube O.D. ø		L	C1	C2	C3	C4	B1	B2	P1	P2	E	N	F	Eff. X-sectional area mm ²	Wt. g
	Q1	Q2														
ZSP-RG6-4	6	4	37.5	11.8	9.9	12.5	10.5	17	14.9	10.3	10.3	3.2	14.2	21.3	1.5	13
ZSP-RG8-6	8	6	42	13.8	11.8	14.5	13	18.1	17	12.5	12.5	3.5	15.8	26	8.2	20

Different diameter Union Y
● ZSP-W□-□

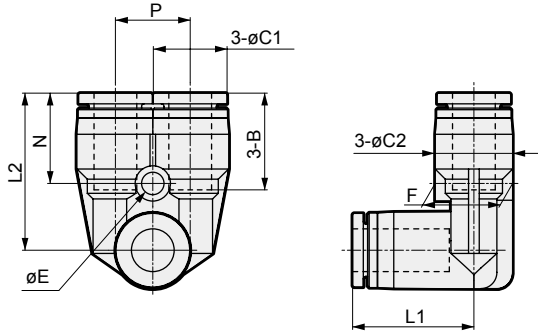


Model No.	Tube O.D. ø		L	C1	C2	C3	C4	B1	B2	P	E	N	F	Eff. X-sectional area mm ²	Wt. g
	Q1	Q2													
ZSP-W6-4	6	4	37.2	11.8	9.9	13	12.5	17	14.9	12	3.4	15.2	13.5	4.2	9.7
ZSP-W8-6	8	6	42.5	13.8	11.8	14.5	12.5	18.1	17	14	3.4	17.3	15.1	8	13
ZSP-W10-8	10	8	48.1	16.8	13.8	17.5	14.5	20.2	18.1	18	4.5	19.2	18.2	15.9	20
ZSP-W12-10	12	10	54.6	19.8	16.8	21	17.5	23.4	20.2	20	4.5	22	21.7	26.7	30

Dimensions

Union A

- ZSP-AU□□

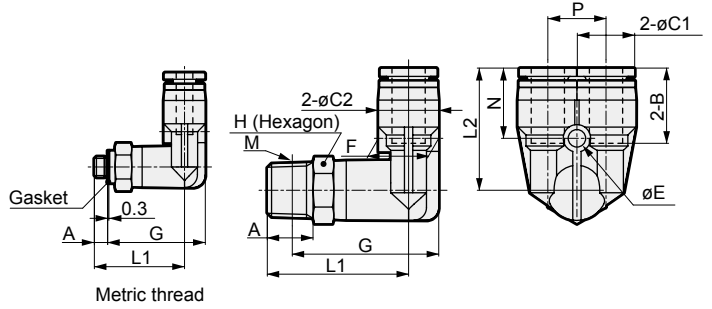


Model No.	Tube O.D. ø	L1	C1	C2	B	P	L2	E	N	F	Eff. X-sectional area mm ²	Wt. g
ZSP-AU4	4	16.9	9.9	10	14.9	10.3	22.7	3.2	14.2	10.4	2.5	7.8
ZSP-AU6	6	19.8	11.8	12.5	17	12.5	26.2	4.2	15.5	13.5	7.2	11
ZSP-AU8	8	22.7	13.8	14.5	18.1	14.5	29.4	4.2	16.9	15.6	16.3	16
ZSP-AU10	10	25	16.8	17.5	20.2	17.5	33.5	4.2	18.5	18.2	27.9	26
ZSP-AU12	12	29.4	19.8	21	23.4	21	35.2	4.2	20.4	21.7	40	37

Branch elbow

- ZSP-AX□□□

[Sales unit is 10 pcs./bag]

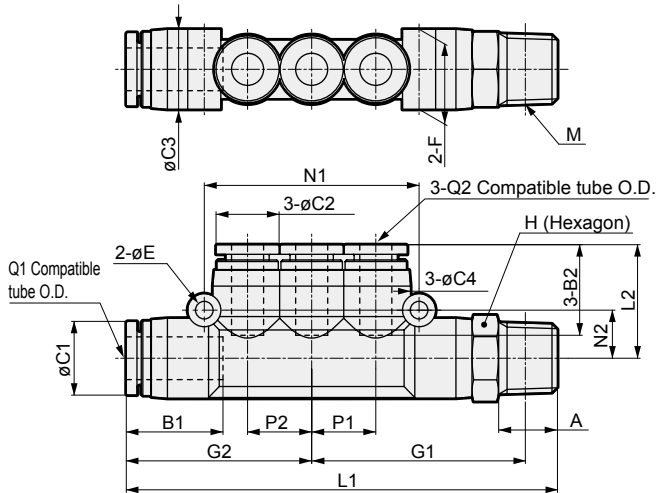


Model No.	Tube O.D. ø	M	A	L1	G	C1	C2	B	P	L2	H	E	N	F	Eff. X-sectional area mm ²	Wt. g
ZSP-AX4-M5	M5×0.8	3.2	21.7	23.5	9.9	10	14.9	11	22.7	10	3.2	14.2	10	2.2	11	
ZSP-AX4-6	R1/8	8	24.7	25.7	9.9	10	14.9	11	22.7	10	3.2	14.2	10	2.7	14	
ZSP-AX4-8	R1/4	11	27.7	26.7	9.9	10	14.9	11	22.7	14	3.2	14.2	10	2.5	22	
ZSP-AX6-M5	M5×0.8	3.2	25	28.1	11.8	12.5	17	12	26.2	12	4.2	15.5	12.5	2.2	16	
ZSP-AX6-6	R1/8	8	28	30.3	11.8	12.5	17	12	26.2	12	4.2	15.5	12.5	6.9	18	
ZSP-AX6-8	R1/4	11	31	31.2	11.8	12.5	17	12	26.2	14	4.2	15.5	12.5	6.6	25	
ZSP-AX6-10	R3/8	12	32.8	32.7	11.8	12.5	17	12	26.2	17	4.2	15.5	12.5	6.8	37	
ZSP-AX8-6	R1/8	8	31	34.3	13.8	14.5	18.1	14	29.4	14	4.2	16.9	14.5	14.6	23	
ZSP-AX8-8	R1/4	11	34	35.2	13.8	14.5	18.1	14	29.4	14	4.2	16.9	14.5	14.5	29	
ZSP-AX8-10	R3/8	12	35.8	36.7	13.8	14.5	18.1	14	29.4	17	4.2	16.9	14.5	15	40	
ZSP-AX10-6	R1/8	8	34	38.8	16.8	17.5	20.2	18	33.5	17	4.2	18.5	17.5	21.6	40	
ZSP-AX10-8	R1/4	11	37	39.7	16.8	17.5	20.2	18	33.5	17	4.2	18.5	17.5	26.1	42	
ZSP-AX10-10	R3/8	12	38	40.4	16.8	17.5	20.2	18	33.5	17	4.2	18.5	17.5	27.2	49	
ZSP-AX10-15	R1/2	15	41	41.6	16.8	17.5	20.2	18	33.5	21	4.2	18.5	17.5	29.9	69	
ZSP-AX12-8	R1/4	11	41.2	45.7	19.8	21	23.4	20	35.2	21	4.2	20.4	21	38.2	62	
ZSP-AX12-10	R3/8	12	42.2	46.4	19.8	21	23.4	20	35.2	21	4.2	20.4	21	43.1	63	
ZSP-AX12-15	R1/2	15	45.2	47.5	19.8	21	23.4	20	35.2	21	4.2	20.4	21	42.1	78	

Note) The G dimensions for the taper screw type are reference dimensions after tightening.

Branch triple

- ZSP-KD□□□□



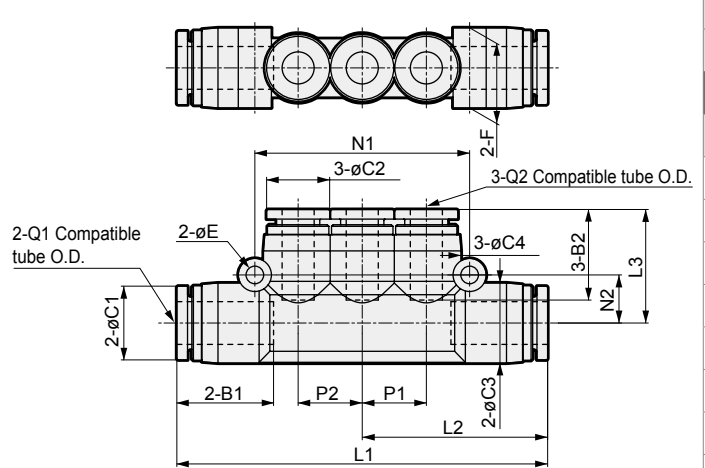
Model No.	Tube O.D. ø	Q1	Q2	M	A	L1	L2	G1	G2	P1	P2	C1	C2	Wt. g
ZSP-KD6-4-6	6	4	R1/8	8	68.4	18.4	34.3	30.1	10	10	11.8	9.9	9.9	
ZSP-KD8-4-8	8	4	R1/4	11	73.7	19.2	36.5	31.2	10	10	13.8	9.9	9.9	
ZSP-KD8-6-8	8	6	R1/4	11	80.7	21.3	40	34.7	12	12	13.8	11.8	11.8	
ZSP-KD10-8-10	10	8	R3/8	12	93	23.7	46.7	40	14	14	16.8	13.8	13.8	

Model No.	C3	C4	B1	B2	N1	N2	E	H	F	Eff. X-sectional area mm ²	Wt. g
ZSP-KD6-4-6	13	10	17	14.9	34	8	3.3	12	13	5	22
ZSP-KD8-4-8	15	10	18.1	14.9	34	9.2	3.3	14	15	5.2	31
ZSP-KD8-6-8	15	13	18.1	17	40.2	9	3.3	14	15	9.6	34
ZSP-KD10-8-10	17.5	15	20.7	18.1	46.2	10.5	3.3	17	17.5	19.1	55

Note) The G1 dimensions are reference dimensions after tightening.

Different diameter triple

- ZSP-KG□□□□



Model No.	Tube O.D. ø	Q1	Q2	L1	L2	L3	P1	P2	C1	C2	C3	Wt. g
ZSP-KG6-4	6	4	60.1	30.05	18.4	10	10	11.8	9.9	13	13	
ZSP-KG8-4	8	4	62.4	31.2	19.2	10	10	13.8	9.9	15	15	
ZSP-KG8-6	8	6	69.4	34.7	21.3	12	12	13.8	11.8	15	15	
ZSP-KG10-6	10	6	80	40	23.8	14	14	16.8	11.8	17.5	17.5	
ZSP-KG10-8	10	8	80	40	23.7	14	14	16.8	13.8	17.5	17.5	

Model No.	C4	B1	B2	N1	N2	E	2-F	Eff. X-sectional area mm ²	Wt. g
ZSP-KG6-4	10	17	14.9	34	8	3.3	13	5	15
ZSP-KG8-4	10	18.1	14.9	34	9.2	3.3	15	6	19
ZSP-KG8-6	13	18.1	17	40.2	9	3.3	15	10.1	22
ZSP-KG10-6	15	20.7	17	46.2	10.5	3.3	17.5	11.2	30
ZSP-KG10-8	15	20.7	18.1	46.2	10.5	3.3	17.5	19.1	32

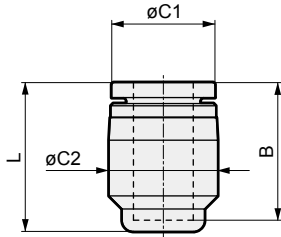
- F.R.L.
- F.R.
- F (Filtr)
- R (Reg)
- L (Lub)
- Drain Separ
- Mech Press SW
- Res press exh valve
- SlowStart
- Anti-bac/Bac-remove Filtr
- Film Resist FR
- Oil-ProhR
- Med Press FR
- No Cu/ PTFE FRL
- Outdris FRL
- Adapter Joiner
- Press Gauge
- CompFRL
- LgFRL
- PrecsR
- VacF/R
- Clean FR
- ElecPneuR
- AirBoost
- Speed Ctrl
- Silncr
- CheckV/ other
- Fit/Tube
- Nozzle
- Air Unit
- PrecsCompn
- Electro Press SW
- ContactSW
- AirSens
- PresSW Cool
- Air Flo Sens/Ctrl
- WaterRISens
- TotAirSys (Total Air)
- TotAirSys (Gamma)
- Gas generator
- RefrDry
- DesicDry
- HiPolymDry
- MainFiltr
- Dischrg etc
- Ending



- F.R.L.
- F.R.
- F (Filtr)
- R (Reg)
- L (Lub)
- Drain Separ
- Mech Press SW
- Res press exh valve
- SlowStart
- Anti-bac/Bac-remove Filtr
- Film Resist FR
- Oil-Prohr
- Med Press FR
- No Cu/PTFE FRL
- Outdrs FRL
- Adapter Joiner Press Gauge
- CompFRL
- LgFRL
- PrecsR
- VacFR
- Clean FR
- ElecPneUR
- AirBoost
- Speed Ctrl
- Silncr
- CheckV/other
- Fit/Tube
- Nozzle
- Air Unit
- PrecsCompn
- Electro Press SW
- ContactSW
- AirSens
- PresSW Cool
- Air Flo Sens/Ctrl
- WaterRtSens
- TotAirSys (Total Air)
- TotAirSys (Gamma)
- Gas generator
- RefrDry
- DesiccDry
- HiPolymDry
- MainFiltr
- Dischrg etc
- Ending

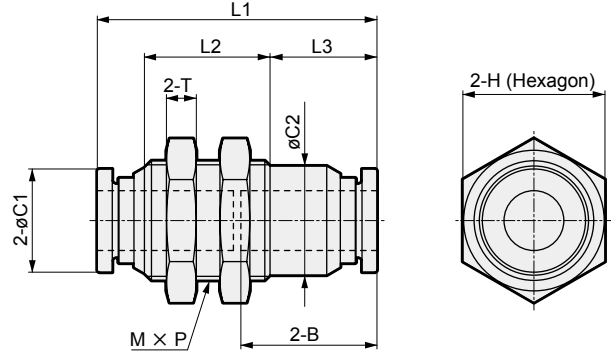
Dimensions

Cap
● ZSP-PF□



Bulkhead union
● ZSP-M□

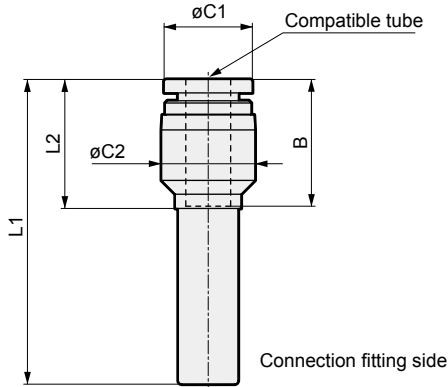
[Sales unit is 10 pcs./bag]



Model No.	Tube O.D. ø	L	C1	C2	B	Wt. g
ZSP-PF4	4	16.4	9.9	10	14.9	2.2
ZSP-PF6	6	18.5	11.8	12.5	17	3.1
ZSP-PF8	8	19.9	13.8	14.5	18.4	4.4
ZSP-PF10	10	22.3	16.8	17.5	20.7	7.3
ZSP-PF12	12	24.9	19.8	21	22.9	11

Model No.	Tube O.D. ø	M x P	L1	L3	L2	C1	C2	B	H	T	Eff. X-sectional area mm ²	Wt. g
ZSP-M4	4	M12x1	30.8	10.4	15	9.9	10.8	14.9	14	4	5.3	16
ZSP-M6	6	M14x1	34.9	11	18	11.8	12.5	17	17	4	12.5	24
ZSP-M8	8	M16x1	37.4	14.3	16.8	13.8	14.6	18.2	19	4	20	30
ZSP-M10	10	M20x1	42.4	12.7	23	16.8	18.5	20.7	24	5	35	56
ZSP-M12	12	M22x1	47.6	12.3	29	19.8	20.4	23.3	27	6	71	81

Reducer
● ZSP-J□-□



Model No.	Tube O.D. ø	Port size ø	L1	L2	C1	C2	B	Eff. X-sectional area mm ²	Wt. g
ZSP-J4-6	6	4	38.8	19.8	11.8	12.5	17	4	3.5
ZSP-J6-4	4	6	37.7	15.2	9.9	10	14.9	5	2.9
ZSP-J8-4	4	8	40.2	16.7	9.9	12.5	14.9	4.5	3.8
ZSP-J8-6	6	8	40.8	17.3	11.8	12.5	17	11.5	4
ZSP-J10-4	4	10	42.2	17.2	9.9	12.5	14.9	4.5	4.3
ZSP-J10-6	6	10	43.8	18.8	11.8	12.5	17	11.5	4.5
ZSP-J10-8	8	10	43.7	18.7	13.8	14.5	18.1	22.5	5.8
ZSP-J12-6	6	12	48.8	19.8	11.8	14.5	17	10.5	6
ZSP-J12-8	8	12	49.7	20.7	13.8	14.5	18.1	23	6.7
ZSP-J12-10	10	12	50	21	16.8	17.5	20.2	31.5	9.6